

FULLFLOW 502

AIR-OPERATED DOUBLE DIAPHRAGM PUMPS WITH FLAP CIRCUIT



- Polypropylene casing
- Flap in EPDM and NBR, core in AISI 316 steel, always in contact with the fluid
- Can be split in suction and delivery
- Fittings: G 2"1/2 f or DN 65
- Air fitting: 1/2"
- Supply: min. 2 bar – max 4 bar
- Max. flow rate: 530 l/min
- Max. head: 40 m
- Max. dry suction: 3.5 m
- Max. flooded negative suction: 8 m
- Max. solids diameter: 45 mm
- Max. solid filaments length: 600 mm*

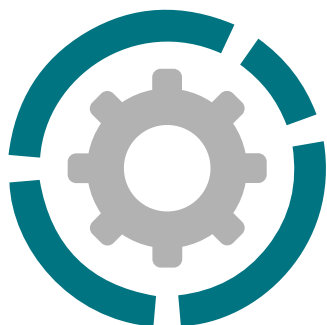
*On request it can be configured for greater lengths. Consult the sales office.

FULLFLOW 502

AIR-OPERATED DOUBLE DIAPHRAGM PUMPS WITH FLAP CIRCUIT



Specifications and types



Suction / delivery connections	G 2" 1/2 or DN 65
Air fitting	G 1/2" f
Max flow rate*	530 l/min
Max supply air pressure	4 bar
Max head*	40 m
Max negative suction head - dry-running**	3.5 m
Max diameter of suspended solids	45 mm
Max length of solids	600 mm

** The value depends on the pump configuration.



PP



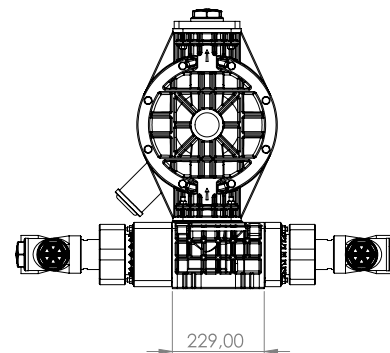
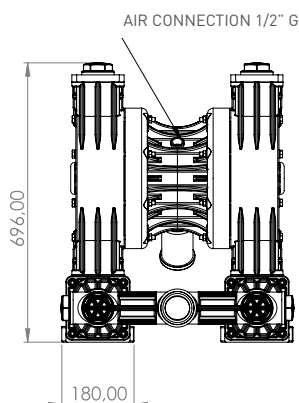
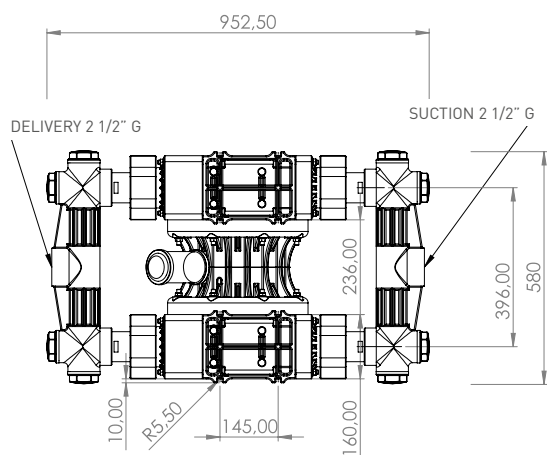
Maximum Dimensions

Height	691 mm
Width	580 mm
Depth	952 mm



Construction materials (casing and manifolds) and net weight

Polypropylene (with glass additive)	55 Kg
	Max 3°C min.
	65°C max

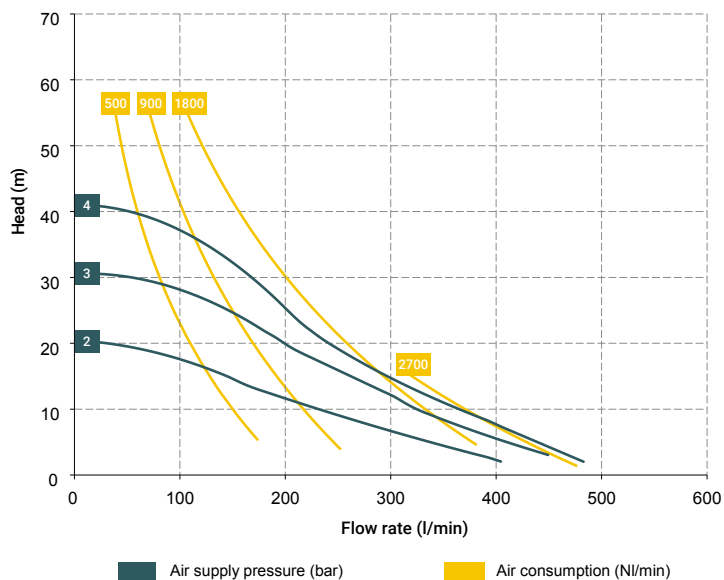


FULLFLOW 502

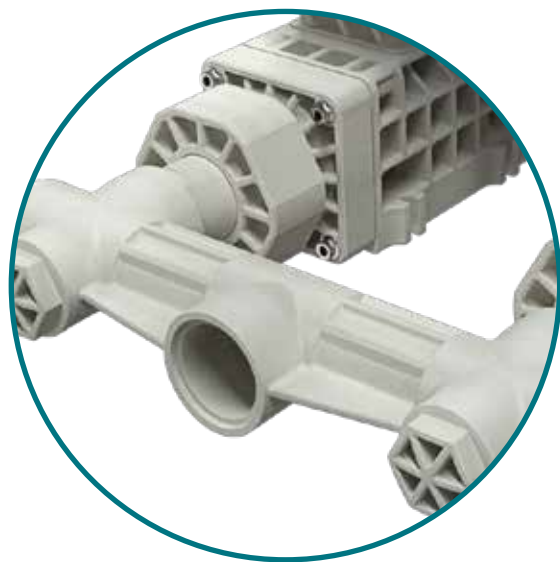
AIR-OPERATED DOUBLE DIAPHRAGM PUMPS WITH FLAP CIRCUIT



Specifications and types



*The curves and the performances refer to pumps with immersed suction and open delivery outlet, with water at 20°C and vary based on the composition materials.



T40 distributor material (pneumatic circuit):

- POM

Central material:

- Polypropylene (with glass additive)

Diaphragm materials:

- NBR
- EPDM

Caps materials:

- Polypropylene (with glass additive)

O-ring materials:

- EPDM
- NBR

Accessories:

Air regulation kit W8000-20-G

Package:

wooden crate - cm 113 x 73 x 91 - weight 55 Kg
(the weight refers to the package only, without the pump)

Any chromatic variations in our polypropylene and PVDF products are due to the special mixtures of the raw materials used. The use of high quantities of, respectively, glass and carbon additives, results in a unique aesthetic that does not affect the quality of the product in any way. Quite the opposite, it highlights its highly technological nature, to the benefit of its performance.

MAIN APPLICATION SECTORS



CERAMIC, STONE, MARBLE, GLASS
AND MINING INDUSTRY



WATER AND SLUDGE
TREATMENT



TEXTILE AND LEATHER
INDUSTRY



PACKING, GLUE,
PAPER AND PAPER MILLS



GALVANIC AND ELECTRONIC
INDUSTRY