

The crystallizers of the FB series are based on the principle of the vibrating fluid bed in which material is conveyed on a perforated surface and held in suspension by the airflow and vibrations of the surface.

The system is suitable for crystallizing and drying PET granules or flakes from the washing lines. The residence time is very short (less than 15').

Air heating can be done with electric heaters, natural-gas heaters, diathermic-oil heat exchangers or steam heat exchangers.

High-efficiency fan with variable airflow.

Part of the process air can be recycled for saving energy.

A Siemens PLC allows the operator to easily set and control each phase of the process.

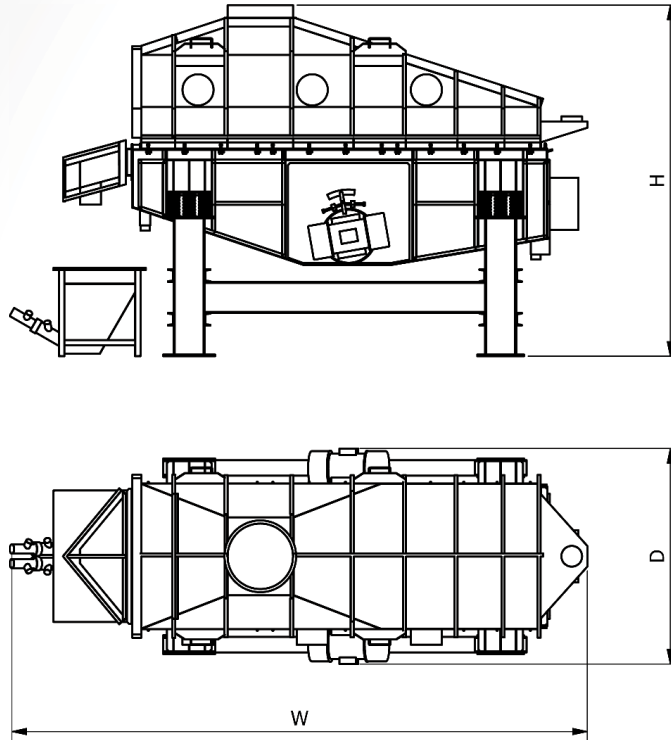


ACCESSORIES:

- Rotary valves for loading and unloading material.
- Pneumatic feeding and extraction system.
- Oil-condensation system.

ADDED VALUE:

- It dries and crystallizes the material in a short time: material is ready after 10 min.
- Dedusting of paper material, PE and dust thanks to its built-in self-cleaning filter.
- It increases the performance of the extrusion system.
- Low maintenance, easy to clean and manage.



TECHNICAL DATA		FB500	FB1000
Throughput	kg/h	500	1000
Airflow rate	m3/h	4000	8000
Process temperature	°C	70-150	70-150
Bed dimensions WxD	mm	2800x800	4000x1000
Fan power	kW	11	37
Heating power	kW	3	5.6
Rotary-valve power	kW	1.1+1.1	1.1+1.1
Total power	kW	70.2	126
Voltage/Frequency	V/Hz	400/50-60	400/50-60
Dimensions WxDxH	mm	3200x1500x2300	5100x2100x3300
Weight	kg	1000	2600